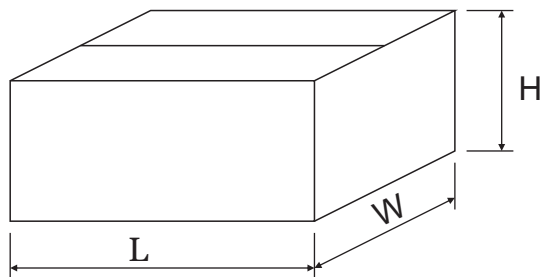


Case Type	Reel		Box	Carton Size		Approx. G.W.
	EA	mm	EA	EA	L x W x H (mm)	Kg / Carton
ER/0503	5,000	178	25,000	250,000	370 x 350 x 200	5.6
	5,000	178	25,000	500,000	370 x 350 x 380	10.7
U/0603 UR/0603	4,000	178	20,000	200,000	370 x 350 x 200	5.7
	4,000	178	20,000	400,000	370 x 350 x 380	10.9
S/0805	3,000	178	15,000	150,000	370 x 350 x 200	5.9
	3,000	178	15,000	300,000	370 x 350 x 380	11.3
F/1005 FR/1005	4,000	178	20,000	200,000	370 x 350 x 200	6.4
	4,000	178	20,000	400,000	370 x 350 x 380	12.3
SC/0805	5,000	178	17,000	170,000	310 x 275 x 250	7
	5,000	178	30,000	300,000	400 x 380 x 210	12
NC/1206	5,000	178	17,000	170,000	310 x 275 x 250	8
	5,000	178	30,000	300,000	400 x 380 x 210	13
K/SOD-123F	4,000	178	20,000	200,000	370 x 350 x 200	7.3
	4,000	178	20,000	400,000	370 x 350 x 380	14.1
SOD-123	3,000	178	15,000	150,000	370 x 350 x 200	6.5

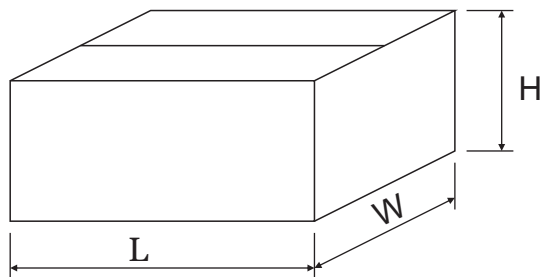
CARTON



Material: Corrugated card board

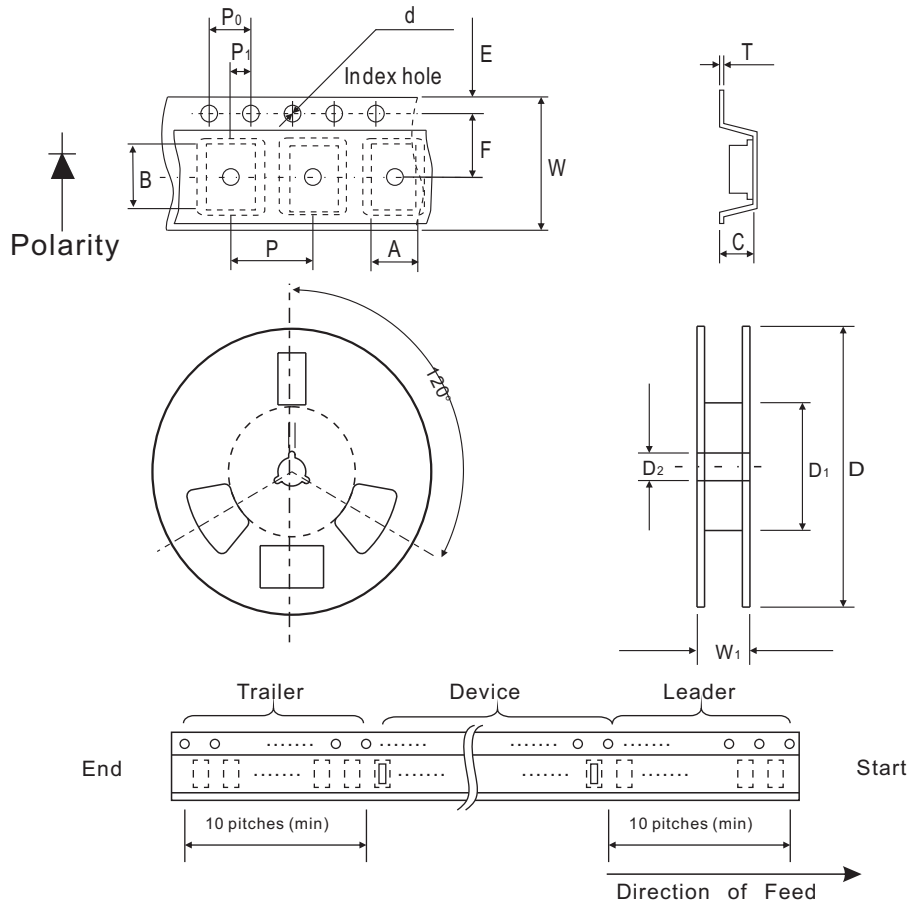
Case Type	Reel		Box	Carton Size		Approx. G.W.
	EA	mm	EA	EA	L x W x H (mm)	Kg / Carton
Mini SMA	2,500	178	12,500	125,000	370 x 350 x 200	9.0
Mini-MELF	2,500	178	12,500	125,000	370 x 350 x 200	9.0
Mini-SMAH	2,500	178	12,500	125,000	370 x 350 x 200	9.0
MELF/DO-213AB	5,000	178	9,000	90,000	370 x 350 x 400	21.6
SMA/DO-214AC	5,000	330	1,000	90,000	370 x 350 x 400	14.4
SMB/DO-214AA	3,000	330	6,000	54,000	370 x 350 x 400	14.5
SMC/DO-214AB	3,000	330	3,000	27,000	370 x 350 x 400	10.8
SOT-23	3,000	178	15,000	150,000	370 x 350 x 200	6.5
SOT-23-5/23-6	3,000	178	15,000	150,000	370 x 350 x 200	6.5
SOT-323	3,000	178	15,000	150,000	370 x 350 x 200	6.5
SOT-523	3,000	178	15,000	150,000	370 x 350 x 200	5.5
SOT-353-363	3,000	178	15,000	150,000	370 x 350 x 200	6.5
SOT-563	3,000	178	15,000	150,000	370 x 350 x 200	6.5
MiniDIP	3,000	330	-	48,000	380 x 365 x 400	14.0
DF-S	1,000	330	-	12,000	370 x 370 x 360	11.0
DO-41	-	-	5,000	50,000	450 x 285 x 305	19.0
DO-15	-	-	3,000	30,000	450 x 285 x 305	14.0
DO-201AE	-	-	1,200	12,000	450 x 285 x 305	19.0

CARTON



Material: Corrugated card board

Reel Taping Specification

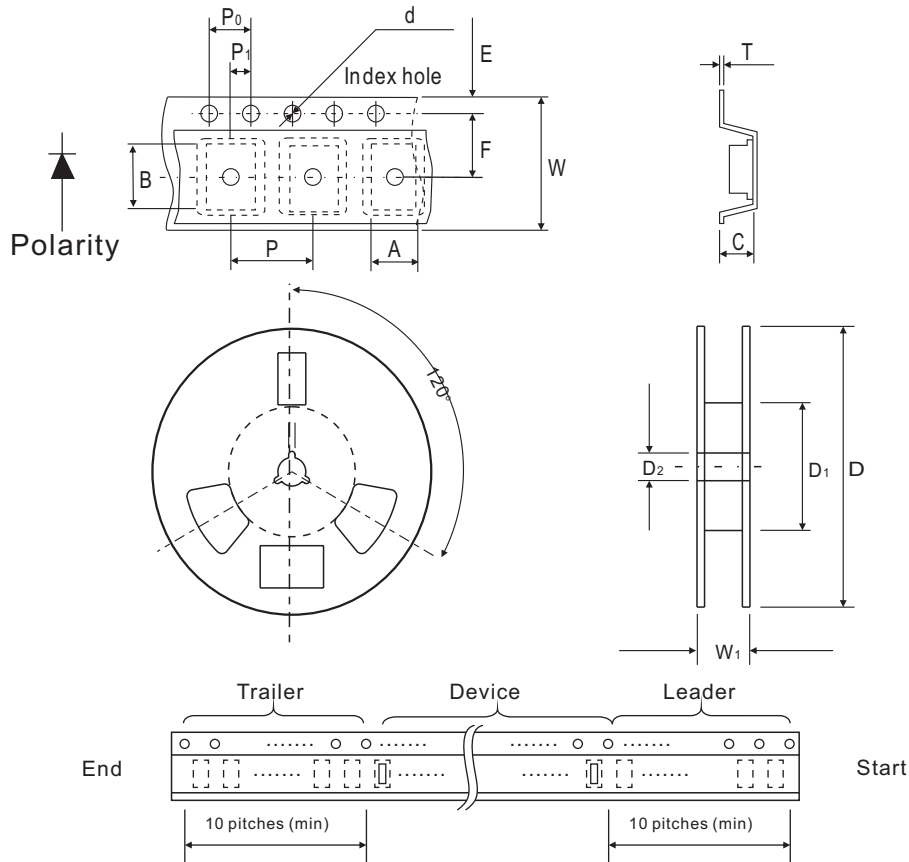


ITEM	SYMBOL	ER/0503	U/0603 UR/0603	S/0805	F/1005 FR/1005	SC/0805	NC/1206	K/SOD-123F	SOD-123
Carrier width	A	0.90 ± 0.10	1.00 ± 0.10	1.55 ± 0.10	1.55 ± 0.10	1.65 ± 0.10	2.00 ± 0.10	1.90 ± 0.10	1.90 ± 0.10
Carrier length	B	1.46 ± 0.10	1.85 ± 0.10	2.30 ± 0.10	2.65 ± 0.10	2.40 ± 0.10	3.60 ± 0.10	3.80 ± 0.10	4.00 ± 0.10
Carrier depth	C	0.80 ± 0.10	1.00 ± 0.10	1.25 ± 0.10	1.05 ± 0.10	0.95 ± 0.02	0.95 ± 0.02	1.05 ± 0.10	1.50 ± 0.10
Sprocket hole	d	1.55 ± 0.05	1.55 ± 0.05	1.55 ± 0.05	1.55 ± 0.05	1.50 ± 0.05	1.50 ± 0.05	1.55 ± 0.05	1.55 ± 0.10
Reel outside diameter	D	178 ± 1	178 ± 1	178 ± 1	178 ± 1	178 ± 1	178 ± 1	178 ± 1	178 ± 1
Reel inner diameter	D ₁	60.0 MIN.	60.0 MIN.	60.0 MIN.	60.0 MIN.	59.98 ± 0.5	59.98 ± 0.5	60.0 MIN.	50.0 MIN.
Feed hole width	D ₂	13.0 ± 0.20	13.0 ± 0.20	13.0 ± 0.20	13.0 ± 0.20	13.5 ± 0.50	13.5 ± 0.50	13.0 ± 0.20	13.0 ± 0.20
Sprocket hole position	E	1.75 ± 0.10	1.75 ± 0.10	1.75 ± 0.10	1.75 ± 0.10	1.75 ± 0.10	1.75 ± 0.10	1.75 ± 0.10	1.75 ± 0.10
Punch hole position	F	3.50 ± 0.05	3.50 ± 0.05	3.50 ± 0.05	3.50 ± 0.05	3.50 ± 0.05	3.50 ± 0.05	3.50 ± 0.05	3.50 ± 0.05
Punch hole pitch	P	4.00 ± 0.10	4.00 ± 0.10	4.00 ± 0.10	4.00 ± 0.10	4.00 ± 0.10	4.00 ± 0.10	4.00 ± 0.10	4.00 ± 0.10
Sprocket hole pitch	P ₀	4.00 ± 0.10	4.00 ± 0.10	4.00 ± 0.10	4.00 ± 0.10	4.00 ± 0.10	4.00 ± 0.10	4.00 ± 0.10	4.00 ± 0.10
Embossment center	P ₁	2.00 ± 0.10	2.00 ± 0.05	2.00 ± 0.05	2.00 ± 0.05	2.00 ± 0.05	2.00 ± 0.05	2.00 ± 0.05	2.00 ± 0.05
Overall tape thickness	T	0.22 ± 0.05	0.23 ± 0.05	0.25 ± 0.05	0.23 ± 0.05	0.23 ± 0.05	0.20 ± 0.05	0.22 ± 0.05	0.30 ± 0.05
Tape width	W	8.00 ± 0.20	8.00 ± 0.20	8.00 ± 0.20	8.00 ± 0.20	8.00 ± 0.20	8.00 ± 0.20	8.00 ± 0.10	8.00 ± 0.30
Reel width	W ₁	13.5 MAX.	13.5 MAX.	13.5 MAX.	13.5 MAX.	12.0 MAX.	12.0 MAX.	13.5 MAX.	14.4 MAX.

NOTES :

1. All dimensions above are in millimeters .
2. Devices are packed in accordance with EIA standard RS-481-A and specification shown above.

Reel Taping Specification



ITEM	SYMBOL	Mini SMA	SMA DO-214AC	SMB DO-214AA	SMC DO-214AB	Mini-MELF	MELF (DO-213AB)	SOT-23	SOT-323	SOT-523	SOT-353-363
Carrier width	A	1.90 ± 0.10	2.90 ± 0.10	3.79 ± 0.15	6.00 ± 0.15	2.00 MAX.	3.30 MAX.	3.10 ± 0.10	2.20 ± 0.10	1.80 ± 0.10	2.20 ± 0.10
Carrier length	B	4.30 ± 0.10	5.59 ± 0.10	5.72 ± 0.10	8.25 ± 0.10	3.90 MAX.	5.50 MAX.	2.85 ± 0.10	2.40 ± 0.10	1.80 ± 0.10	2.40 ± 0.10
Carrier depth	C	1.25 ± 0.10	2.36 ± 0.10	2.46 ± 0.10	2.40 ± 0.10	2.00 MAX.	3.30 MAX.	1.40 ± 0.10	1.15 ± 0.10	0.90 ± 0.02	1.35 ± 0.10
Sprocket hole	d	1.55 ± 0.05	1.55 ± 0.05	1.55 ± 0.05	1.55 ± 0.05	1.55 ± 0.10	1.55 ± 0.15	1.55 ± 0.10	1.55 ± 0.10	1.55 ± 0.10	1.55 ± 0.10
Reel outside diameter	D	178 ± 1	330 ± 1	330 ± 1	330 ± 1	178 ± 1	178 ± 1	178 ± 1	178 ± 1	178 ± 1	178 ± 1
Reel inner diameter	D ₁	62.0 MIN.	50.0 MIN.	50.0 MIN.	50.0 MIN.	50.0 MIN.	50.0 MIN.	50.0 MIN.	50.0 MIN.	50.0 MIN.	50.0 MIN.
Feed hole width	D ₂	13.0 ± 0.20	13.0 ± 0.20	13.0 ± 0.20	13.0 ± 0.20	13.0 ± 0.20	13.0 ± 0.20	13.0 ± 0.20	13.0 ± 0.20	13.0 ± 0.20	13.0 ± 0.20
Sprocket hole position	E	1.75 ± 0.10	1.75 ± 0.10	1.75 ± 0.10	1.75 ± 0.10	1.75 ± 0.10	1.75 ± 0.10	1.75 ± 0.10	1.75 ± 0.10	1.75 ± 0.10	1.75 ± 0.10
Punch hole position	F	3.50 ± 0.05	5.50 ± 0.05	5.50 ± 0.05	7.50 ± 0.05	3.50 ± 0.05	5.50 ± 0.05	3.50 ± 0.05	3.50 ± 0.05	3.50 ± 0.05	3.50 ± 0.05
Punch hole pitch	P	4.00 ± 0.10	4.00 ± 0.10	8.00 ± 0.10	8.00 ± 0.10	4.00 ± 0.10	4.00 ± 0.10	4.00 ± 0.10	4.00 ± 0.10	4.00 ± 0.10	4.00 ± 0.10
Sprocket hole pitch	P ₀	4.00 ± 0.10	4.00 ± 0.10	4.00 ± 0.10	4.00 ± 0.10	4.00 ± 0.10	4.00 ± 0.10	4.00 ± 0.10	4.00 ± 0.10	4.00 ± 0.10	4.00 ± 0.10
Embossment center	P ₁	2.00 ± 0.05	2.00 ± 0.05	2.00 ± 0.05	2.00 ± 0.05	2.00 ± 0.05	2.00 ± 0.05	2.00 ± 0.05	2.00 ± 0.05	2.00 ± 0.05	2.00 ± 0.05
Overall tape thickness	T	0.20 ± 0.05	0.30 ± 0.05	0.40 ± 0.05	0.40 ± 0.05	0.20 ± 0.05	0.20 ± 0.05	0.20 ± 0.05	0.20 ± 0.05	0.20 ± 0.05	0.20 ± 0.05
Tape width	W	8.00 ± 0.30	12.0 ± 0.20	12.0 ± 0.20	16.0 ± 0.20	8.00 ± 0.30	12.0 ± 0.20	8.00 ± 0.30	8.00 ± 0.30	8.00 ± 0.30	8.00 ± 0.30
Reel width	W ₁	13.5 MAX.	18.4 MAX.	18.4 MAX.	22.4 MAX.	14.4 MAX.	18.4 MAX.	14.4 MAX.	14.4 MAX.	14.4 MAX.	14.4 MAX.

NOTES :

1. All dimensions above are in millimeters .
2. Devices are packed in accordance with EIA standard RS-481-A and specification shown above.